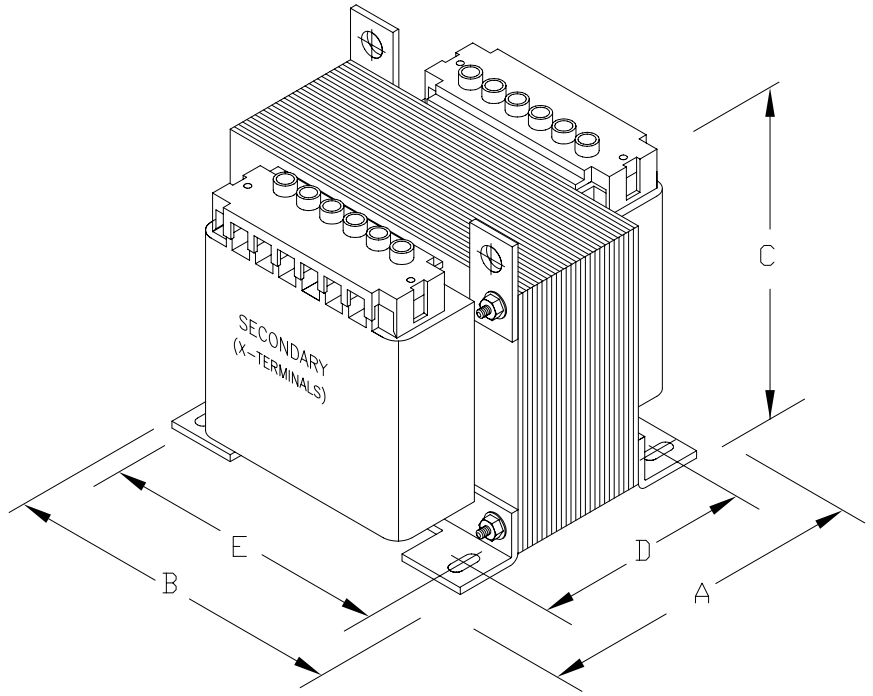


CONNECTION DIAGRAM



PROVIDED WITH SAFE TOUCH TERMINAL COVERS
NO INTEGRAL FUSING CAPABILITY.

DIMENSIONS							APPROX. WT. LBS (KG)
	A	B	C	D	E	MTG. SLOTS	
INCHES (MM)	10.44 (265)	9.00 (229)	7.63 (194)	7.63 (194)	7.50 (191)	0.440X0.910 (11.2X23.1)	



CAT. NO. B5K0-2272-GAH		CONST. ENCAPSULATED		LISTED CERTIFIED IEC 61558	
		MODEL GLOBALTRAN			
RATING					
OUTPUT AMPS	43.48/21.74	PRIMARY V	208/230/400/460/575	TEMP. CLASS	HZ 50/60
VA	5000	SECONDARY V	115X230	180°C	REVISION G